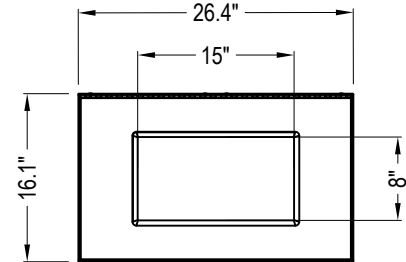
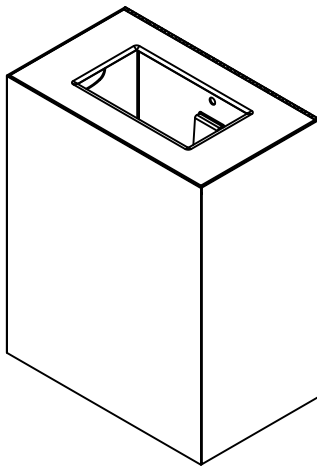




EX-CELL KAISER
11240 MELROSE AVENUE
FRANKLIN PARK, IL 60131
PHONE: (847) 451-0451
FAX: (847) 261-9448
www.ex-cell.com



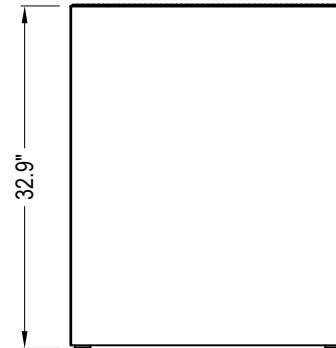
TOP VIEW



PERSPECTIVE



SIDE VIEW



FRONT VIEW

SPECIFICATIONS:

BODY: 18 GA STEEL, MULTI-PIECE SPOT WELD CONSTRUCTION, FEATURING UNIQUE MULTI-COLOR POWDER COAT FINISH
LID: 18 GA STEEL, SINGLE PIECE CONSTRUCTION WITH RECTANGULAR BEVEL STREAM APERTURE, POWDER COAT FINISH. FASTENED TO SS PIANO HINGE, EQUIPPED WITH RUBBER DOOR BUMPERS TO CUSHION CONTACT WHEN CLOSING.

LINER: 33 GALLON, 0.13" THICK, LLDPE, BLACK, LEAKPROOF, LINER WITH HANDLE CUT OUT AND PLASTIC BAG RETENTION HOLES.

STREAM ID: NAME PLATE KIT AVAILABLE (NOT SHOWN)

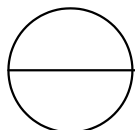
MOUNTING FEET: FOUR NON-MARKING RUBBER FEET ELEVATES UNIT ABOVE FLOOR. SWIVEL CASTER KIT AVAILABLE TO REPLACE MOUNTING FEET FOR MOBILITY.

MANUFACTURER NOTES:

1. POWDER COAT AVAILABLE IN SMOKE, MOCHA, ONYX AND ESPRESSO. CUSTOM POWDERCOAT COLORS AVAILABLE IN ANY RAL NUMBER UPON REQUEST.

NOTES:

1. INSTALLATION TO BE COMPLETED IN ACCORDANCE WITH MANUFACTURER'S SPECIFICATIONS.
2. DO NOT SCALE DRAWING.
3. THIS DRAWING IS INTENDED FOR USE BY ARCHITECTS, ENGINEERS, CONTRACTORS, CONSULTANTS AND DESIGN PROFESSIONALS FOR PLANNING PURPOSES ONLY. THIS DRAWING MAY NOT BE USED FOR CONSTRUCTION.
4. ALL INFORMATION CONTAINED HEREIN WAS CURRENT AT THE TIME OF DEVELOPMENT BUT MUST BE REVIEWED AND APPROVED BY THE PRODUCT MANUFACTURER TO BE CONSIDERED ACCURATE.
5. CONTRACTOR'S NOTE: FOR PRODUCT AND COMPANY INFORMATION VISIT www.CADdetails.com/info AND ENTER REFERENCE NUMBER 5283-061



GRADIENCE COLLECTION

GRADIENCE COLLECTION: 33 GALLON, SINGLE STREAM, INDOOR RECEPTACLE (RC-GRD1)